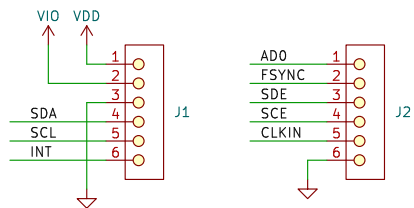
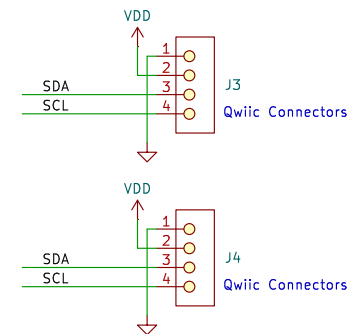


VDD: 2.4 - 3.5V & Max 6V
 VIO: 1.7V - VDD



Designed by XPU Lab.Com
 AnalogLamb.Com

Sheet: /
 File: alb_mpu6050_breakout.kicad_sch

Title: ALB MPU-6050 Breakout

Size: A4 | Date: 2024-08-19
 KiCad E.D.A. 8.0.0

Rev: 1V0
 Id: 1/1